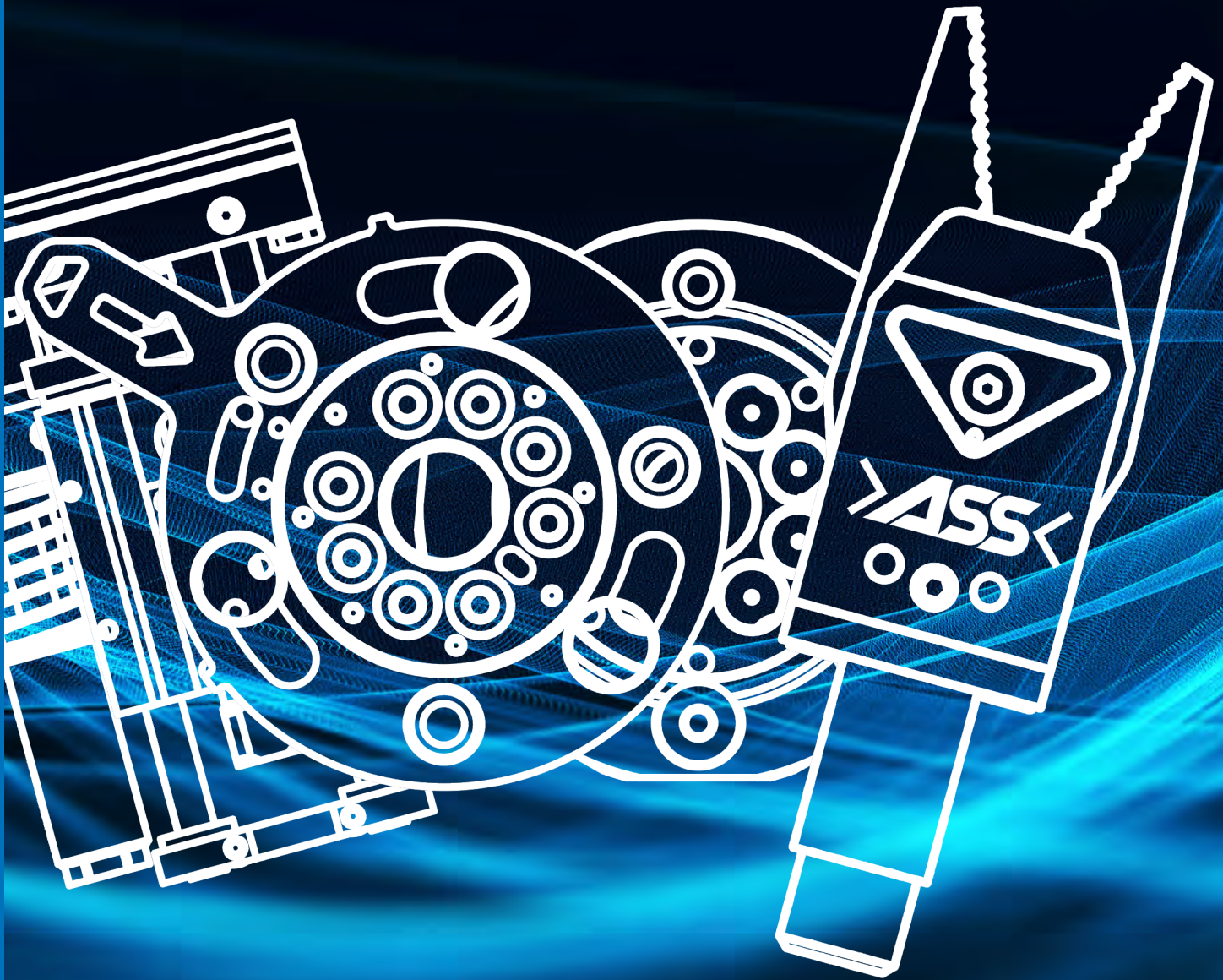


**CO₂ NEUTRAL
PRODUCTION**

ASS
Automations-Systeme



Gripping Solutions for E-Mobility



Components & Solutions for E-Mobility

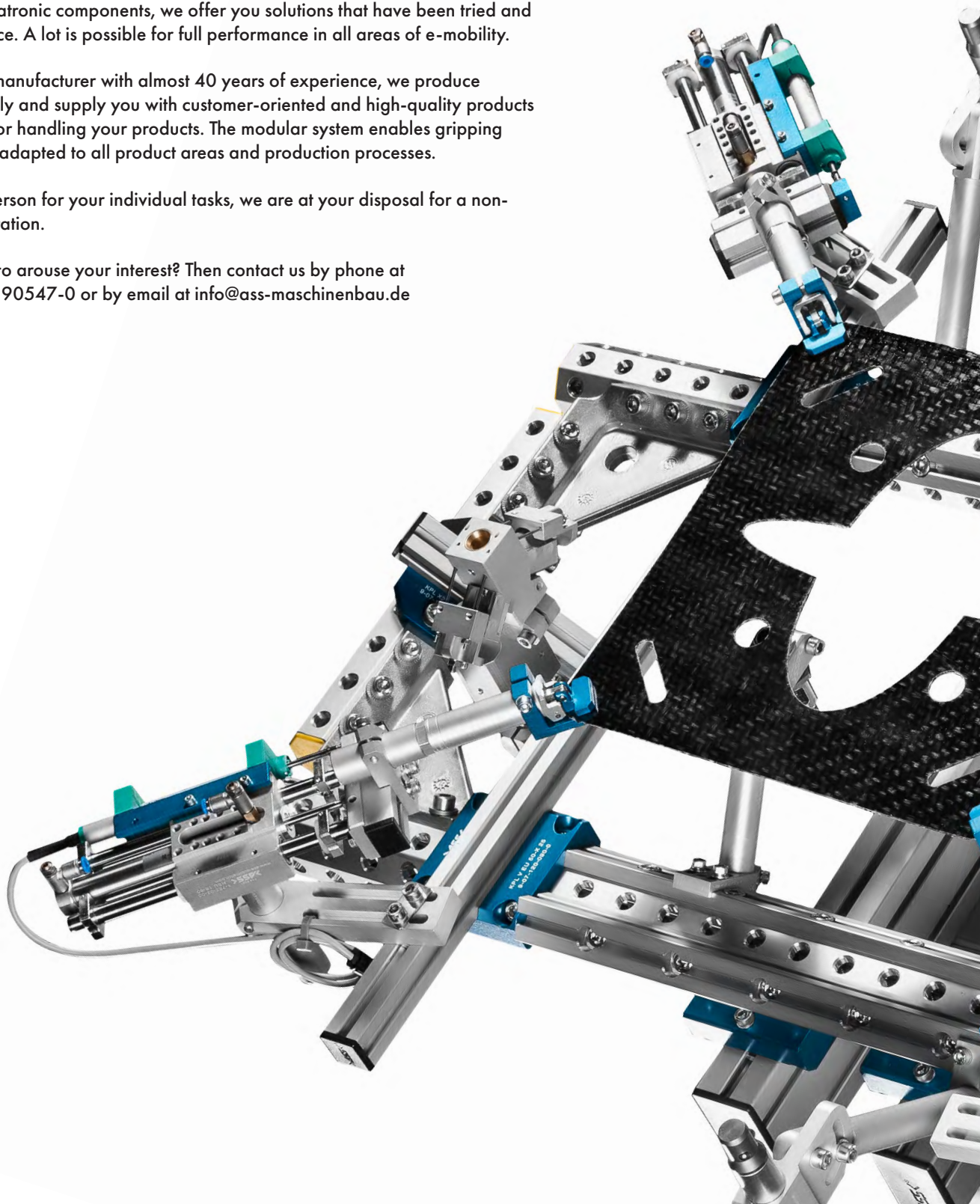
From individual cells to the finished battery pack, from the plug to the complete charging station or from the smallest plastic parts to complex interior and exterior parts.

With our mechatronic components, we offer you solutions that have been tried and tested in practice. A lot is possible for full performance in all areas of e-mobility.

As a German manufacturer with almost 40 years of experience, we produce climate-neutrally and supply you with customer-oriented and high-quality products and solutions for handling your products. The modular system enables gripping solutions to be adapted to all product areas and production processes.

As a contact person for your individual tasks, we are at your disposal for a non-binding consultation.

Were we able to arouse your interest? Then contact us by phone at +49 (0)2206/90547-0 or by email at info@ass-maschinenbau.de



HEAT RESISTANT

Gripping components and insulators that come into contact with components with heat-resistant properties enable process-reliable handling of hot materials. Organo sheets or pultruded components can be safely moved even in heating fields. Heat-resistant gripping tongs, needle grippers or vacuum suction cups make it possible.

COMPACT

Flat components and their combination options allow gripping solutions in the smallest of spaces, for example when inserting electronic components, cell modules or cell stacks in battery housings. For example, our PGR-P pneumatic parallel grippers can be arranged in the smallest of spaces to save space. Our award-winning and innovative micro system is also available for the smallest parts.

NON-MARKING

Special coatings and adapted or adjustable force regulations enable parts with sensitive surfaces to be handled. For example, painted or thin-walled parts can be moved safely without restrictions. In addition to already coated standard components such as gripping tongs or gripping fingers, we use our EP coating to minimize marks on the contact surfaces with your workpiece.

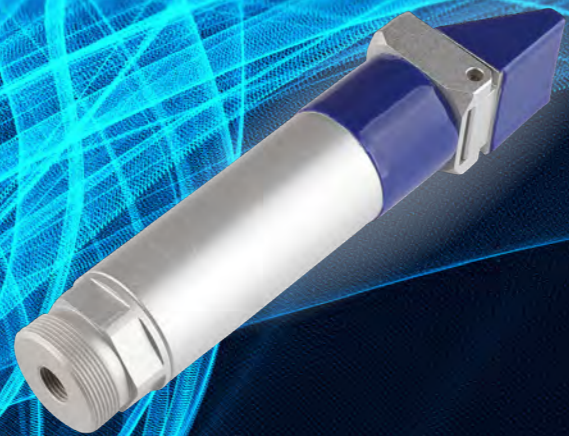
SOLUTION ORIENTED

Solutions for individual tasks are one of our core competencies - from single prototypes to series production.

SCALABLE

The large selection of standardized mechatronic components of different sizes enables a pronounced variety of variants. The spectrum that can be grasped ranges from the smallest plugs to body parts - regardless of the material, be it composite parts made of CFRP, GRP, SMC or other parts made of solid or flexible materials. This diversity enables the user to always create a suitable EOAT solution.

Components & Solutions for E-Mobility



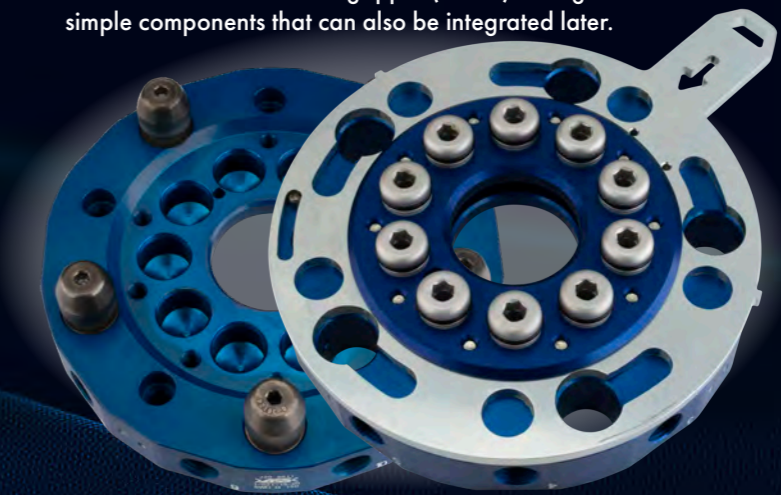
ASSEMBLING CONNECTIONS

Our extensive modular system contains numerous cross-system connections to enable you to integrate the components economically and easily. The large selection of standard parts in the robot hand kit connects different profiles and components with different clamping diameters to each other and to each other. This ensures that the gripper part required for handling can always be connected in the gripper.



FLEXIBLE

Semi-automatic quick-change systems and combinable gripping components enable a quick product change within your automation and thus offer a high degree of adaptability to your processes. The modular system also minimizes the set-up and conversion time of a robot gripper (EOAT) through simple components that can also be integrated later.



CLEAN ROOM

Our low-abrasion mechatronic components can be used without any problems in a clean environment.

QUALITY

We offer you technically high-quality, durable and therefore economical components for all areas. In addition to the gripper components, these can also be solutions for test facilities for battery or EOL testing.

SUSTAINABILITY

ASS components are developed, designed and produced at the certified climate-neutral site in Overath and thus make a positive contribution to reducing your CO2 footprint too.

ABILITY TO DELIVER

Production in Overath enables us to respond quickly to your requests and our warehouse guarantees delivery capability.

MORE SOLUTIONS

You can find a comprehensive overview of all mechatronic components in our online catalogue:



GRIP THE GREEN TURN.
CO₂ NEUTRAL PRODUCTION



GRIP THE
GREEN TURN.

CO₂ NEUTRAL PRODUCTION



AUTOMATION
SYSTEMS AND
SOLUTION



ASS Maschinenbau GmbH

Klef 2
51491 Overath
Germany
Telephone +49 2206 90547-0
Telefax +49 2206 90547-91
www.ass-automation.com
info@ass-maschinenbau.de